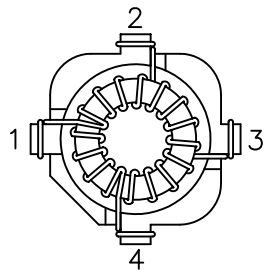
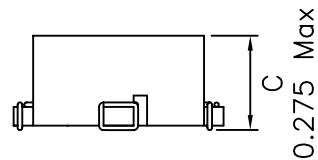
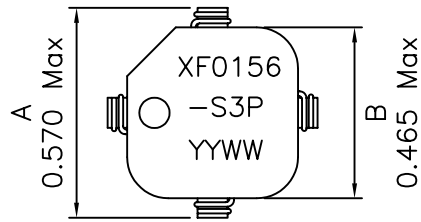
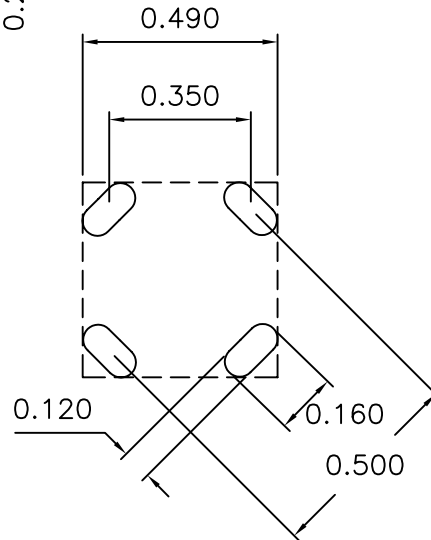


1. Dimensions:

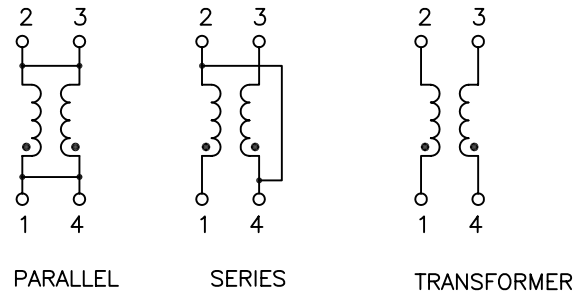


BOTTOM VIEW



RECOMMENDED LAYOUT PATTERN
(TOP VIEW)

2. Schematic:



3. Electrical Specifications: @25°C

	PARALLEL	SERIES	
OCL(NO DC):	14.16uH±20%	56.64uH±20%	10KHz,1.0V
OCL(with DC):	7.00uH Min	25.00uH Min	10KHz,1.0V
DC I:	3.00Adc	1.50Adc	
DC RES:	0.024OHMS MAX	0.096 OHMS MAX	

Isolation: 500 Vrms

Note:

1. Solderability: Leads shall meet MIL-STD-202, Method 208D for solderability.
2. Flammability: UL94V-0,
3. ASTM oxygen index: > 28% ,
4. Temperature rating: 155°C. UL file E151556,
5. Operating Temperature Range: -40°C to +85°C
6. NO VARNISH REQUIRED

DOC. REV. A/1

XFMRS Inc.	Title: DUAL SURFACE MOUNT INDUCTOR		
	UNLESS OTHERWISE SPECIFIED TOLERANCES: .xxx ±0.010 Dimensions in Inch		P/N: 7XF0156-S3P REV. A
	DWN.	罗振江	Jun-18-03
	CHK.	廖玉坤	Jun-18-03
	APP.	BW	Jun-18-03
SCALE 2:1 SHT 1 OF 1			